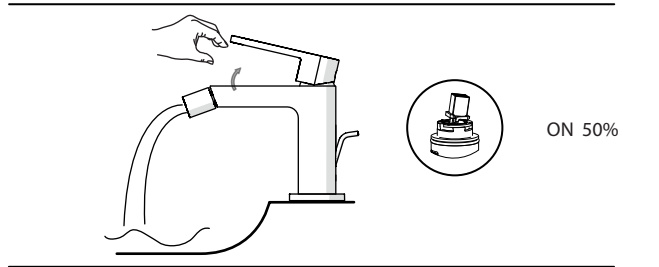
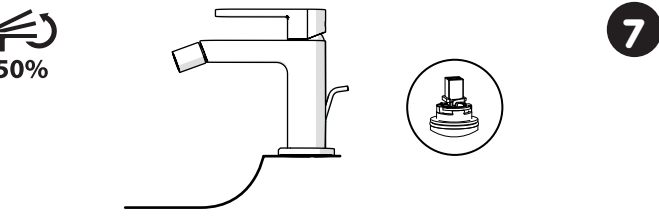
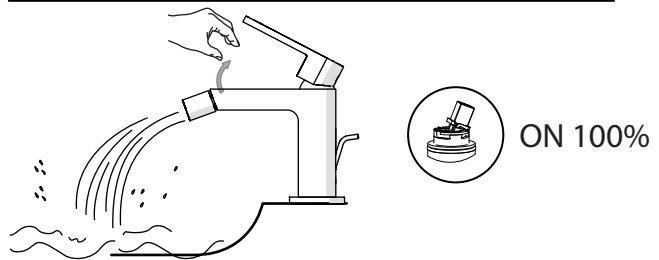


-50%



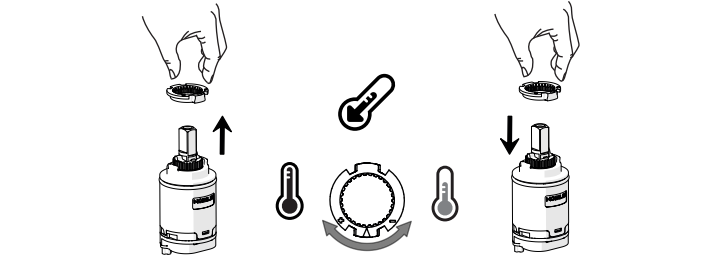
ON 50%



ON 100%

7

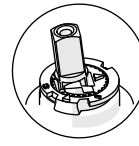
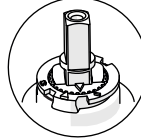
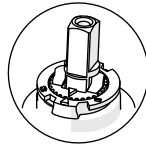
9



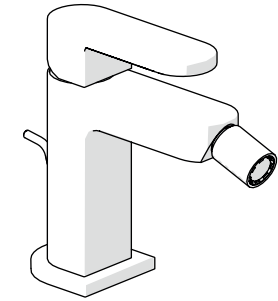
No limitation of temperature

Partial limitation of temperature

Maximum position Only cold water



**NOBILIS**  
The Best Technology for Water



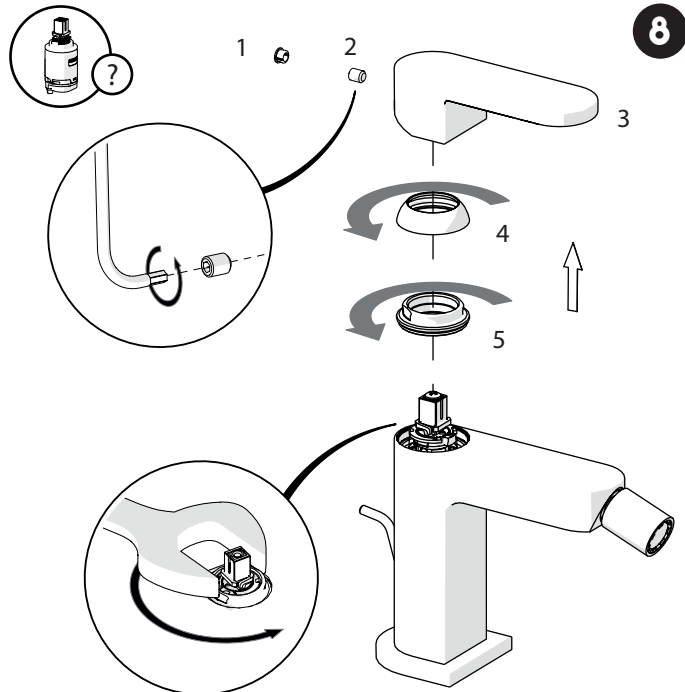
UP94119/1



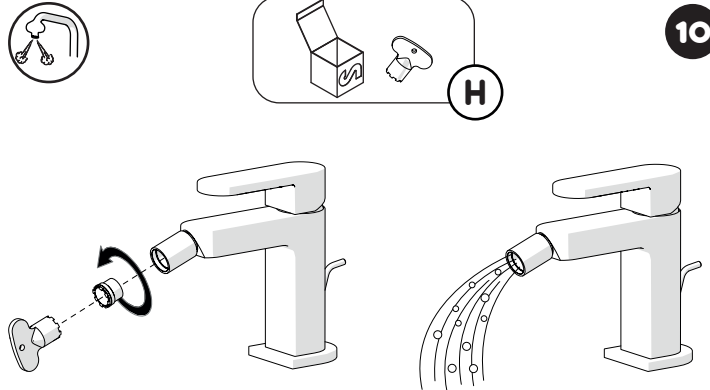
www.grupponobili.it

IISTRUP94119/1#---STD

REV03/2013



8



10

